

GaAs HBT



GaAs Product guide

Part Number	Package	Frequency Band(GHz)	Application	P1dB(dBm)	OIP3(dBm)	Vcc(V)	Icc(mA)	Gain(dB)
AC602020	SOT89	0.1-6	Gain block	20	35	5	80	20
AC2233W	QFN	0.7-2.7	High linear Amplifier	34.5		5	240	22
AC3035W	QFN	1.8-2.8	High linear Amplifier	35		5	450	30
AC552228	QFN	4.9-6	C band linear Amplifer	30		5	240	22
AC3630W	QFN	1.7-2.8	High linear Amplifier	30		5	290	36
AC3236W	QFN	0.3-1	UHF high linear Amplifer	36		5	380	32

HighLight

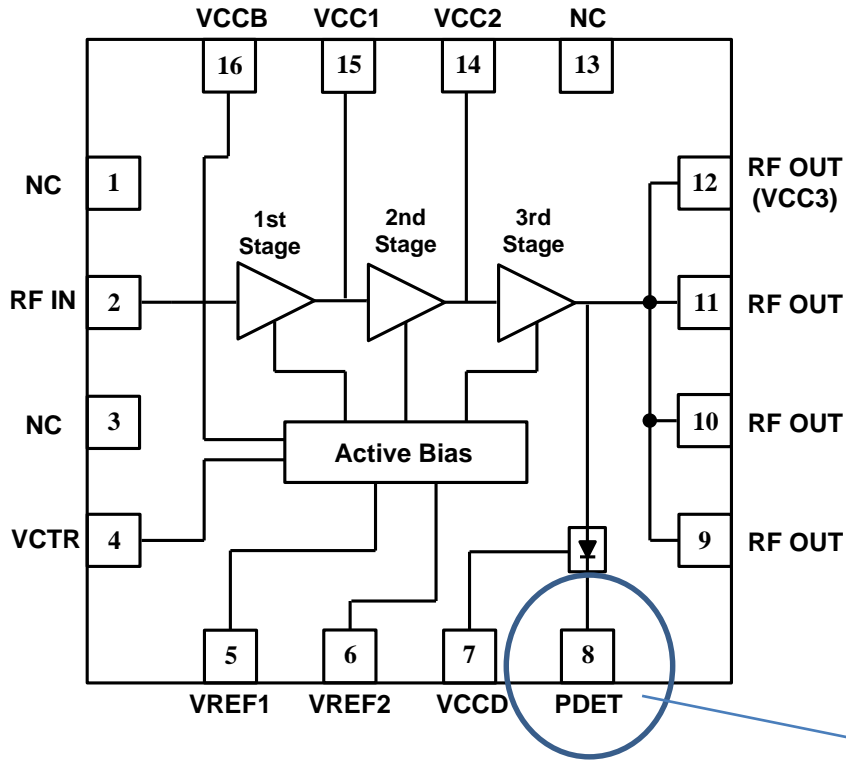
- SMT soldering
- All standard 5V device, can be running at 3.3V for battery supply
- All 50ohm MMIC, easy for us, extremely compact design and space saving
- 2~3 stage insides to offer >20dB gain up to 36dB
- Supplements to Innogration state of art LDMOS/GaN final stage, to make a full lineup. Normally for a 45~50dB PA module, you just need 1 GaAs MMIC+1 LDMOS/GaN final
- **Highly attractive price as local brand**

Application

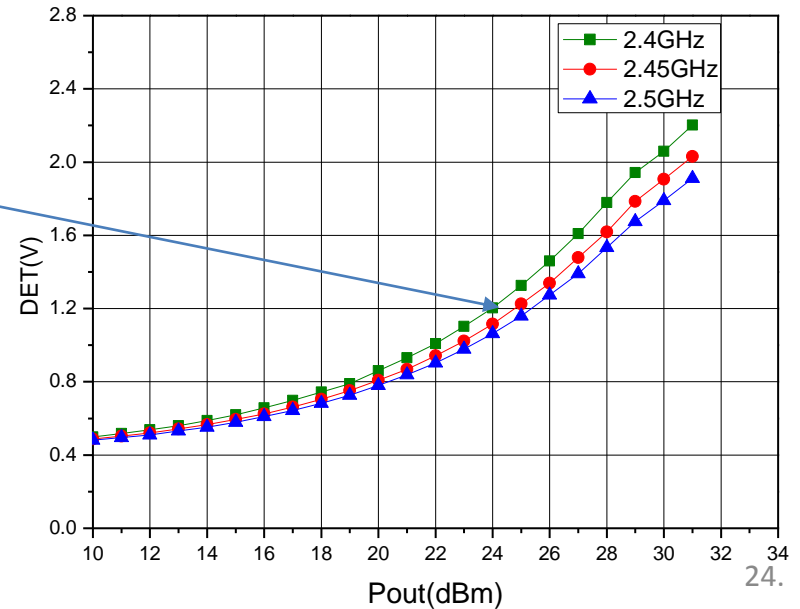
- WLAN 2.4G/5.8G
- GSM / CDMA / PCS
- WCDMA / LTE
- MDAS/Small cell
- GPS / Beidou
- UHF TV
- RFID
- CATV
- Radar
- Jammer
- Instruments
- 无人机



Important functionality

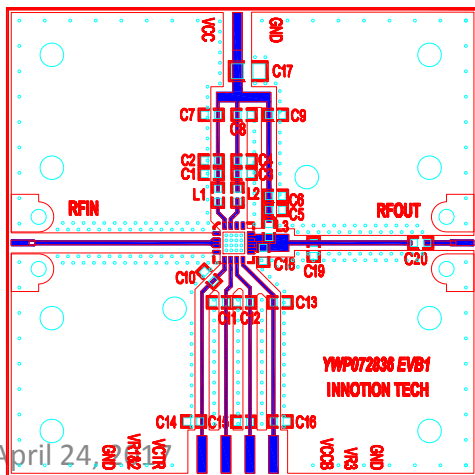
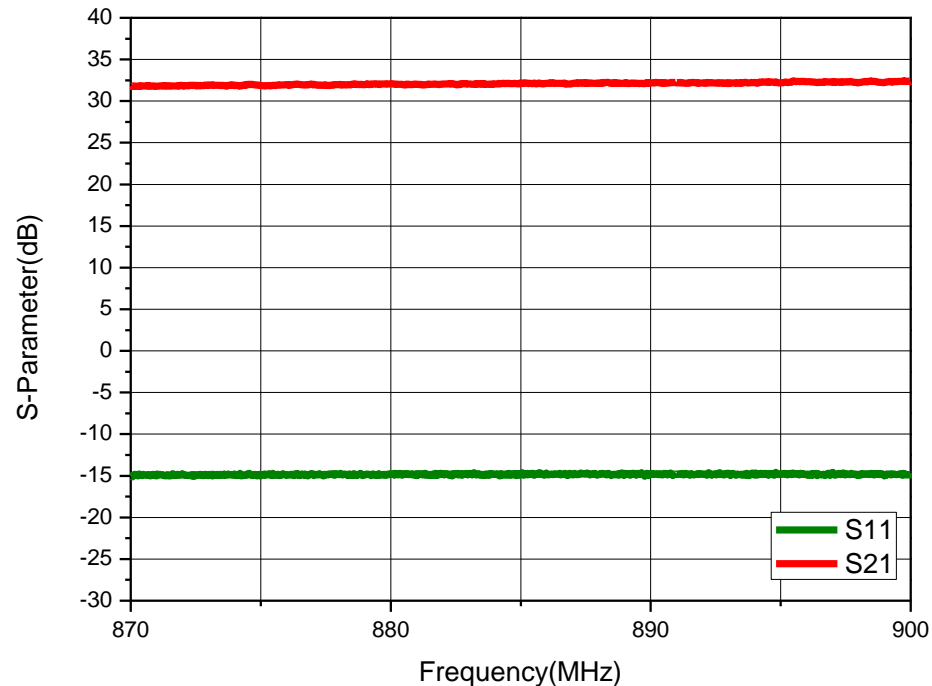
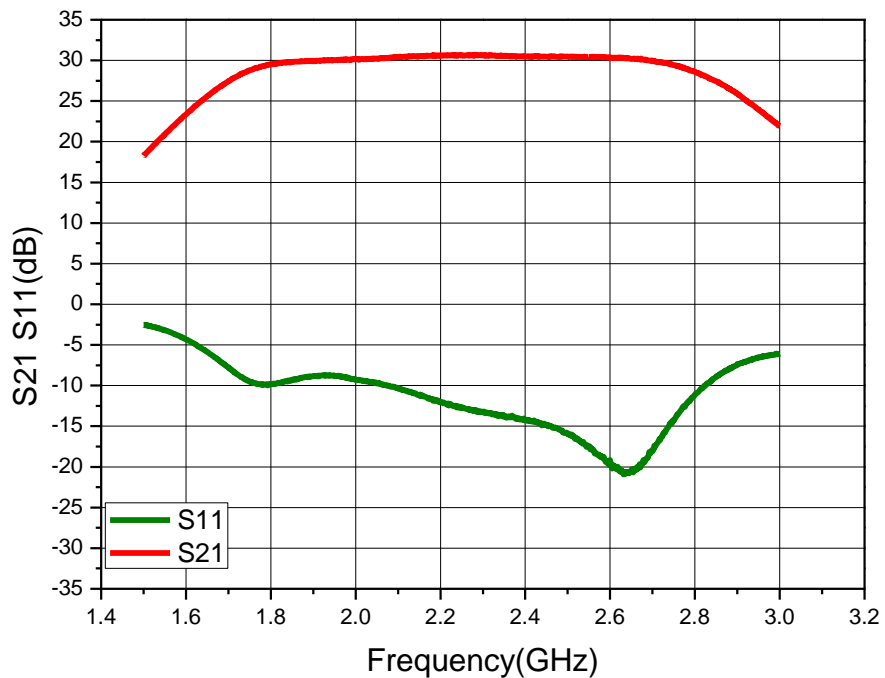


Integrated Power detection enable no need to do this externally! Cost and space saved!





AC3035W 3W 1.8-2.7G +AC3236 4W for 0.2-1GHz for MDAS/Small cell



One layout with two BOM can well cover 800~2.3G with WIFI/CDMA/GSM/WCDMA/LTE all covered!