

**Microwave Farm's Precision Test Adapters** are designed based on precision microwave interconnection technologies. This SMA(F) to SMA(F) adapter with bulkhead is manufactured to precise microwave specifications and constructed with female gender on side 1 and female gender side 2. The precision microwave connector interfaces ensure an excellent microwave performance up to 18 GHz



### ■ Features

- Frequency range : DC to 18 GHz
- VSWR : 1.15 : 1(Max) @ 18 GHz
- Stainless steel (passivated)

### ■ Specification

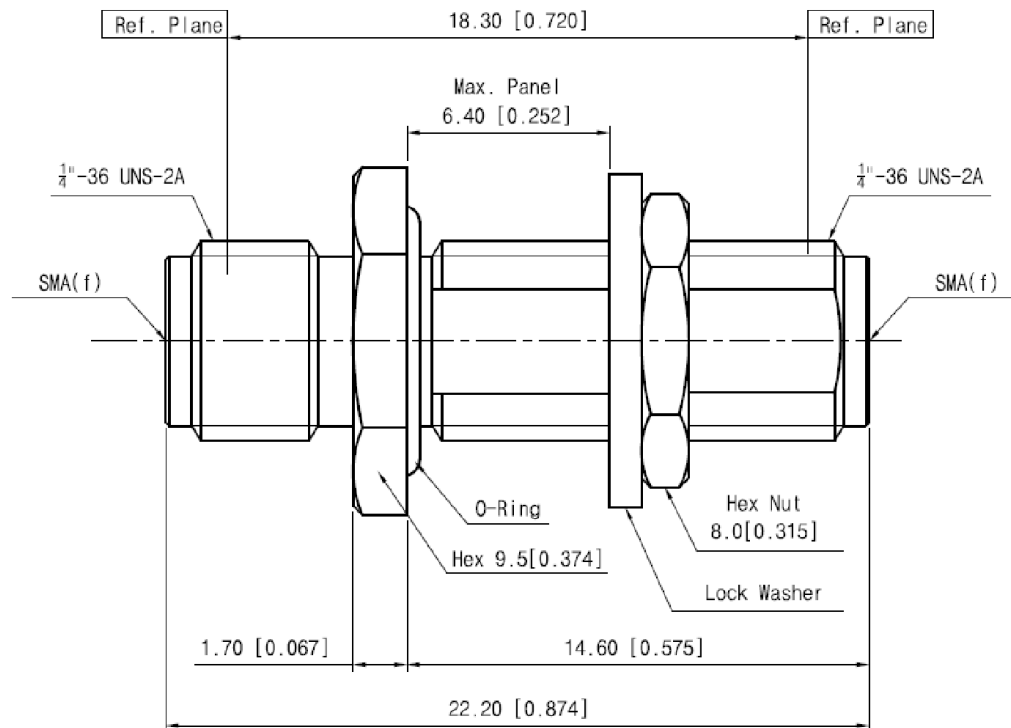
Scope	Specification	MFAD06F06FS3
Electrical	Impedance(Ohm)	50
	Operation Freq.(GHz)	DC to 18 GHz
	VSWR (Max)	1.15 : 1
Material	Dielectric	PTFE
	Center Contact	BeCu with gold plated
	Body	Passivated Stainless Steel

\* RoHS Compliant

### ■ Drawing

Part No.: MFAD06F06FS3

Unit : mm



### ■ Test Result

