

Microwave Farm's terminations are composed of broadband, due to the coaxial construction, It offers a excellent performance specified from DC to 67 GHz
Precision 1.85 mm coaxial connector interfaces ensure an good impedance match across wide bandwidth.

■ Features

- DC to 67 GHz
- VSWR (Max): 1.15
- 1.85 mm (Male) type



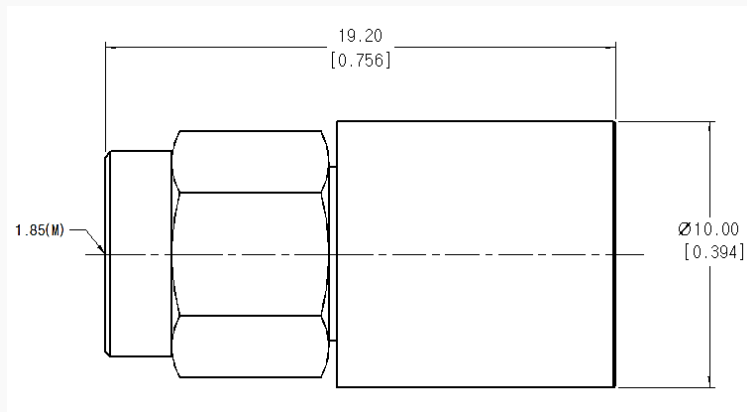
■ Specification

Scope	Specification	MFTM01-01-07
Electrical	Impedance(Ohm)	50
	Freq. range (GHz)	DC to 67 GHz
	VSWR (Max)	1.15 : 1
	Power rating	0.5 Watts
Material	Center Contact	BeCu with gold plated
	Body & Connector	Stainless Steel

* RoHS Compliant

■ Drawing

Unit : mm[inch]



■ Test Result (Return Loss)

Freq: 10 MHz to 67 GHz

