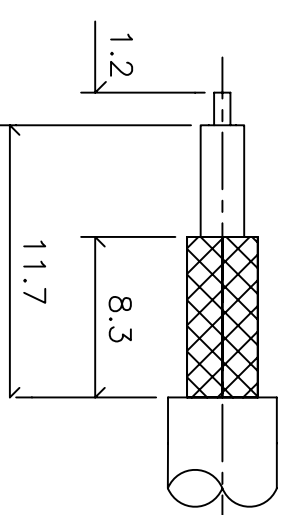
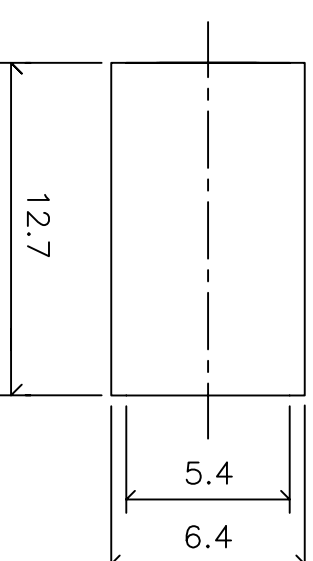
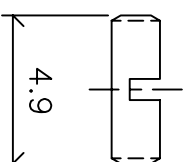
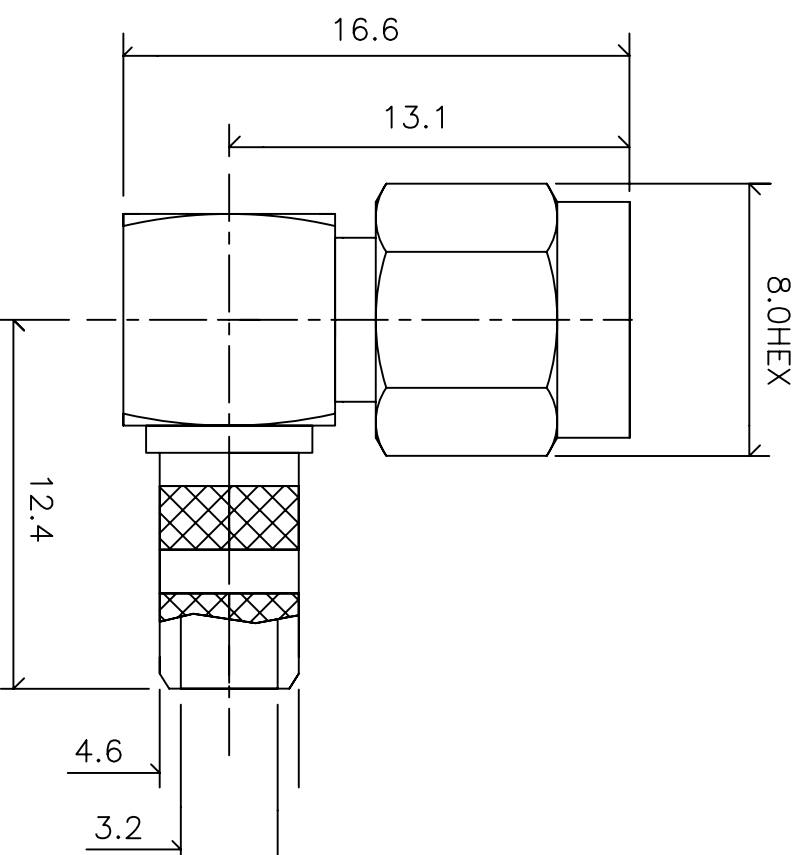


SMA455-58 T124175000TU

品名: SMA ライトアングル プラダ RG58 ケーブル (φ5.0mm)用



Electrical

Impedance: 50 Ω
 Frequency: DC-12.4GHz
 V.S.W.R: 1.19Max at 2.0GHz
 Insulation Resistance: 5000MΩ Minimum
 Contact Resistance:
 Center Contact: 4mΩ
 Outer Contact: 3mΩ
 Insulator Withstanding Voltage: 750VRMS

Mechanical

- ① Body: Brass Gold Finish 5 μ Inch
 - ② Center contact: Brass Gold Finish 30 μ Inch
 - ③ Insulator: Teflon
 - ④ Fellule: Brass Gold finish 5 μ Inch
- Brass Material: Cd < 75ppm, Pb < 40,000ppm
 RoHS Regulation: Comply
 Durability: 500cycles

| | | | |
|---|-----|--|--|
| △ | - - | | |
| △ | - - | | |
| △ | - - | | |
| △ | - - | | |
| △ | - - | | |

| | | | |
|--------------|----|---------|-------------------------|
| 未記入公差 | 単位 | TAKITEK | タキテック株式会社 |
| 長さ公差: ± 0.08 | mm | 製品名 | SMA RightAngle Pulg for |
| 直径公差: ± 0.03 | | | RG58 (φ5.0mm) |
| | | 部品名 | T124 175 000 |
| | | 製図 | |
| | | 設計 | |
| | | 照査 | |