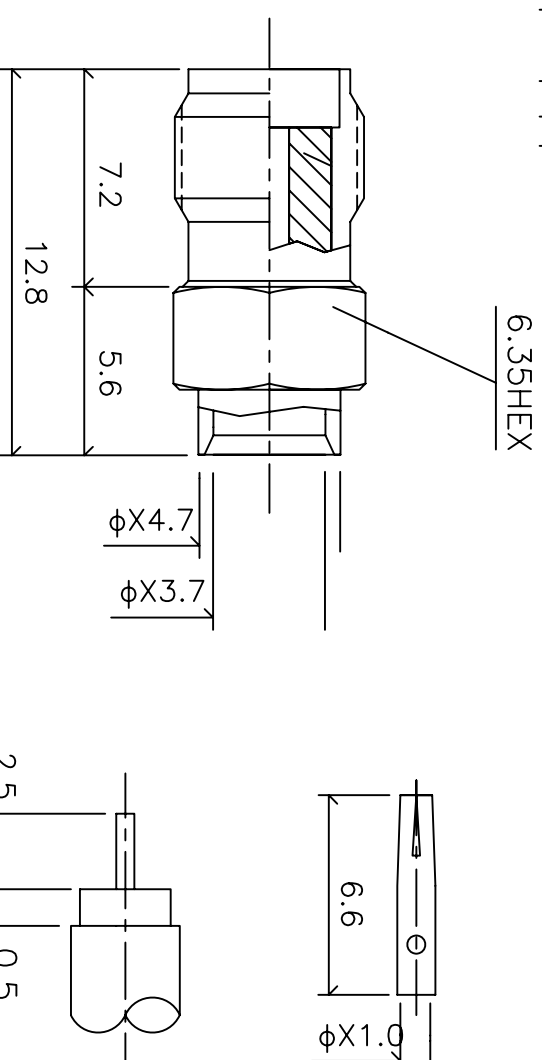


SMA934-141 T124255000TU

品名: SMAジャック 0.141”セミリジッド、セミフレキケーブル用

SMA934-141



**Electrical**

Impedance: 50  $\Omega$   
 Frequency: DC-12.4GHz  
 V.S.W.R: 1.19Max at 2.0GHz  
 Insulation Resistance: 5000M $\Omega$  Minimum  
 Contact Resistance:  
 Center Contact: 4m $\Omega$   
 Outer Contact: 3m $\Omega$   
 Insulator Withstanding Voltage: 750VRMS

**Mechanical**

① Body: Brass Gold Finish 5  $\mu$  Inch  
 ② Center contact: Be Cupper, Gold Finish 30  $\mu$  Inch  
 ③ Insulater: Teflon  
 Brass Material: Cd < 75ppm, Pb < 40,000ppm  
 RoHs Regulation: Comply  
 Dulability: 500cycles

△	-	-	
△	-	-	
△	-	-	
△	-	-	
△	-	-	

未記入公差	単位	TAJIKTEK
長さ公差: ± 0.08	mm	タキテック株式会社
直径公差: ± 0.03	mm	
		製品名
		SMA Jack for 0.141”
		Semi Rigid & Semi Flex
		部品名
		T124 255 000