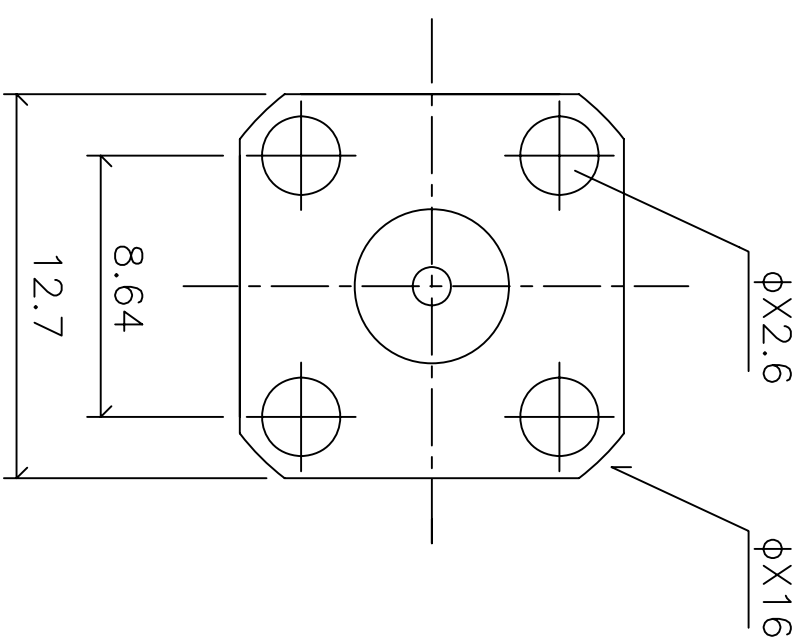
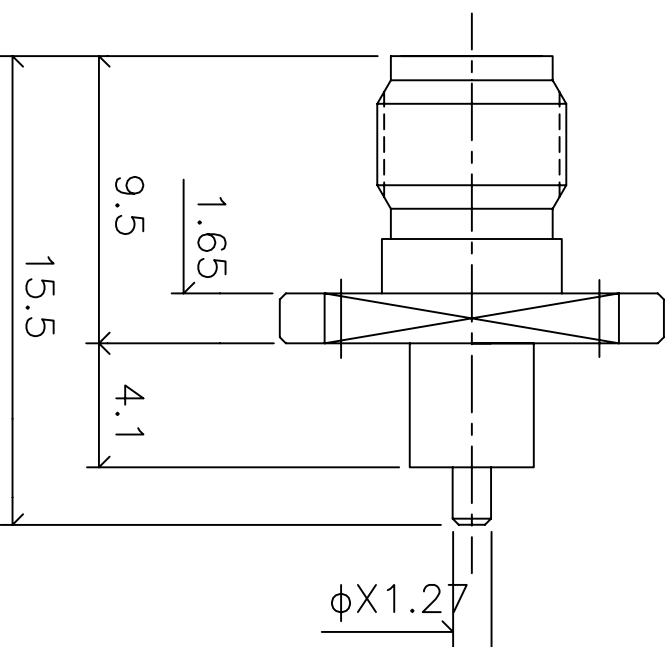


SMA601-15.5/4.1 T124413150TU

品名: SMA フランジマウント 4穴 全長15.5mm, 誘電体4.1mm, 端子: 円柱 φ1.27mm



Electrical

Impedance: 50 Ω
 Frequency: DC-12.4GHz
 V.S.W.R: 1.19Max at 2.0GHz
 Insulation Resistance: 5000MΩ Minimum
 Contact Resistance:
 Center Contact: 4mΩ
 Outer Contact: 3mΩ
 Insulator Withstanding Voltage: 750VRMS

Mechanical

- ① Body: Brass Gold Finish 5 μ Inch
 - ② Center contact: Be Cupper, Gold Finish 30 μ Inch
 - ③ Insulater: Teflon
 - ④ Fellule: Brass Gold finish 5 μ Inch
- Brass Material: Cd < 75ppm, Pb < 40,000ppm
 RoHs Regulation: Comply
 Dulability: 500cycles

△	-	-		
△	-	-		
△	-	-		
△	-	-		
△	-	-		

未記入公差	長さ公差: ± 0.08	直径公差: ± 0.03	単位	mm	製品名	部品名
					TAKITEK	TAKITEK
					タキテック株式会社	タキテック株式会社
					SMA 4Hole Frange Mount	SMA 4Hole Frange Mount
					Jack SMA601-15.5/4.1	Jack SMA601-15.5/4.1
					T124 413 150	T124 413 150