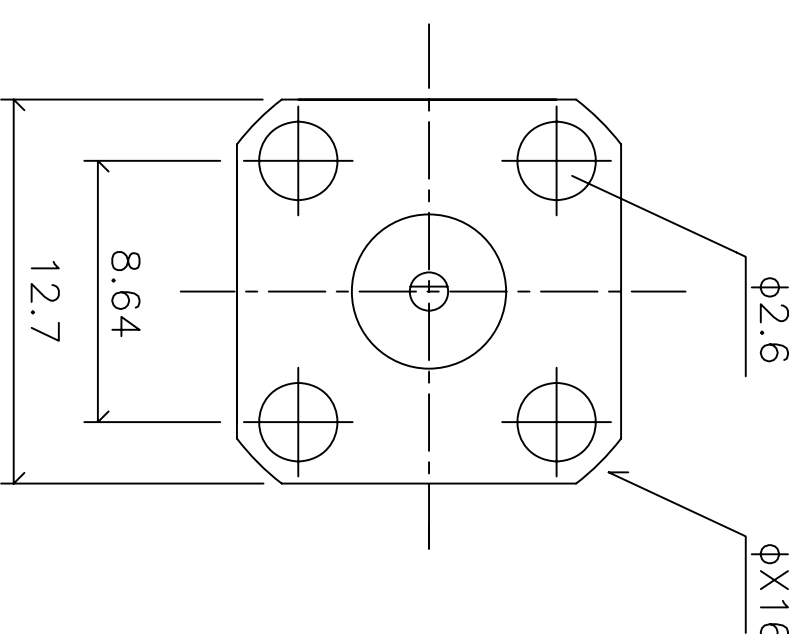
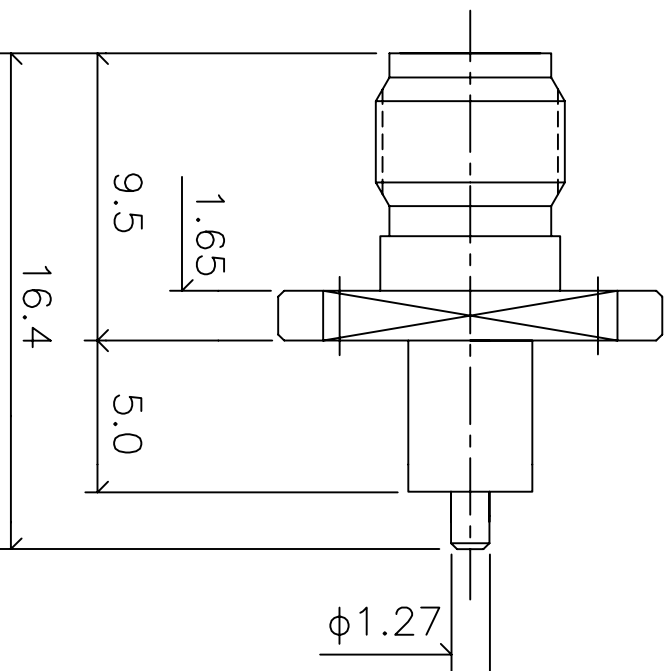


SMA601-16.4 T124413160TU

品名: SMA フランジマウント 4穴 全長: 16.4mm, 誘電体: 5.0mm, 端子: ϕ 1.27mm

SMA601-16.4



Electrical

Impedance: 50 Ω
 Frequency: DC-12.4GHz
 V.S.W.R: 1.19Max at 2.0GHz
 Insulation Resistance: 5000M Ω Minimum
 Contact Resistance:
 Center Coantact:: 4m Ω
 Outer Contact: 3m Ω
 Insulator Withstanding Voltage: 750VRMS

Mechanical

- ① Body: Brass Gold Finish 5 μ Inch
 - ② Center contact: Be Cupper, Gold Finish 30 μ Inch
 - ③ Insulater: Teflon
 - ④ Fellule: Brass Gold finish 5 μ Inch
- Brass Material: Cd < 75ppm, Pb < 40,000ppm
 RoHs Regulation: Comply
 Dulability: 500cycles

△	- -		
△	- -		
△	- -		
△	- -		
△	- -		

未記入公差		単位	TAKITEK
長さ公差: ± 0.08	尺度	mm	タキテック株式会社
直径公差: ± 0.03	製造		SMA 4Hole Frange Mount
	設計		Jack
	照査		部品名
			T124 413 160