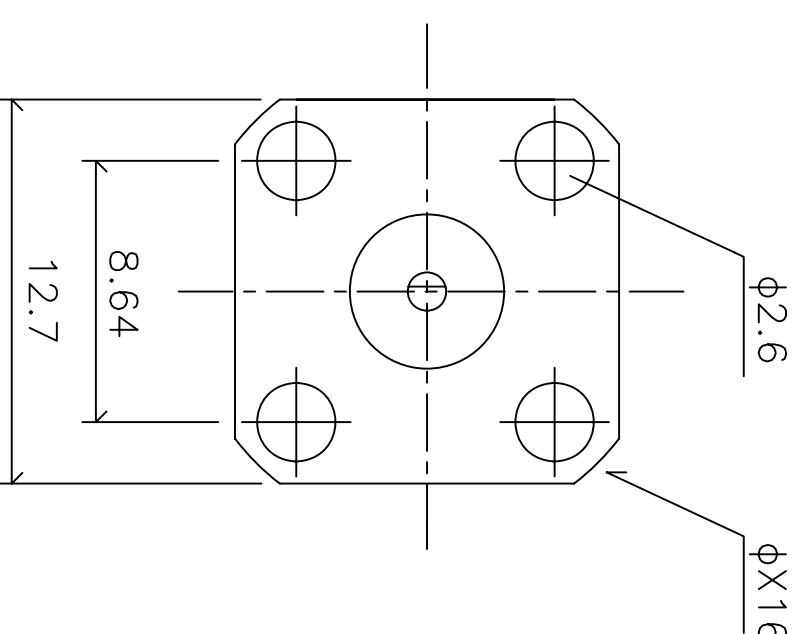
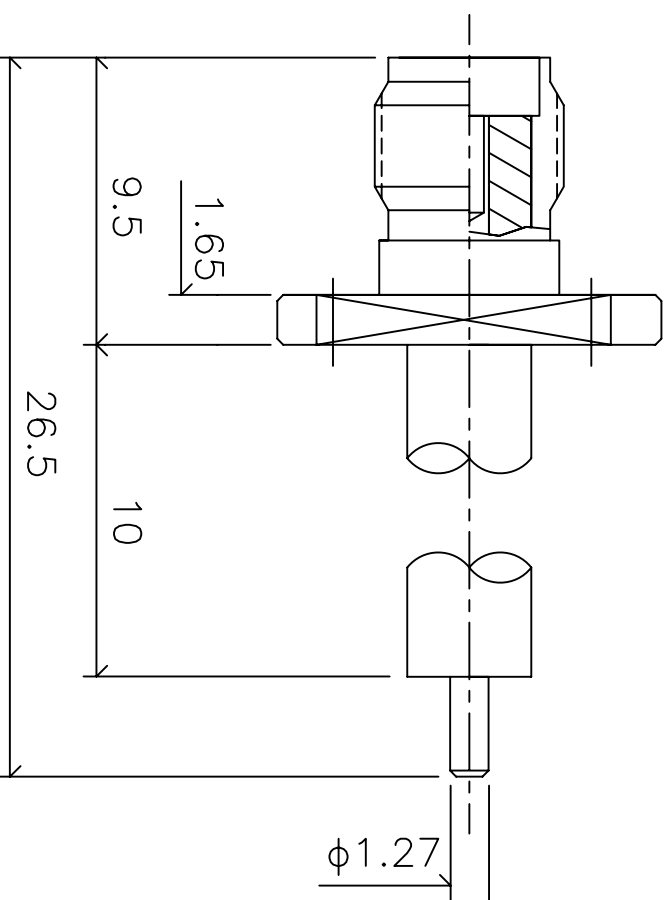


SMA601-26.5 T124413260TU

品名: SMA フランジマウント 4穴 全長: 26.5mm, 誘電体: 10.0mm, 端子:  $\phi 1.27$ mm

SMA601-26.5



**Electrical**

Impedance: 50  $\Omega$   
 Frequency: DC-12.4GHz  
 V.S.W.R: 1.19Max at 2.0GHz  
 Insulation Resistance: 5000M $\Omega$  Minimum  
 Contact Resistance:  
 Center Coantact:: 4m $\Omega$   
 Outer Contact: 3m $\Omega$   
 Insulator Withstanding Voltage: 750VRMS

**Mechanical**

- ① Body: Brass Gold Finish 5  $\mu$  Inch
  - ② Center contact: Be Cupper, Gold Finish 30  $\mu$  Inch
  - ③ Insulater: Teflon
  - ④ Fellule: Brass Gold finish 5  $\mu$  Inch
- Brass Material: Cd < 75ppm, Pb < 40,000ppm  
 RoHs Regulation: Comply  
 Dulability: 500cycles

△	-	-			
△	-	-			
△	-	-			
△	-	-			
△	-	-			

未記入公差		単位	TAKITEK
長さ公差: ± 0.08	尺度	mm	タキテック株式会社
直径公差: ± 0.03			
			製品名
			SMA 4Hole Frange Mount
			部品名
			Jack
			T124 413 260