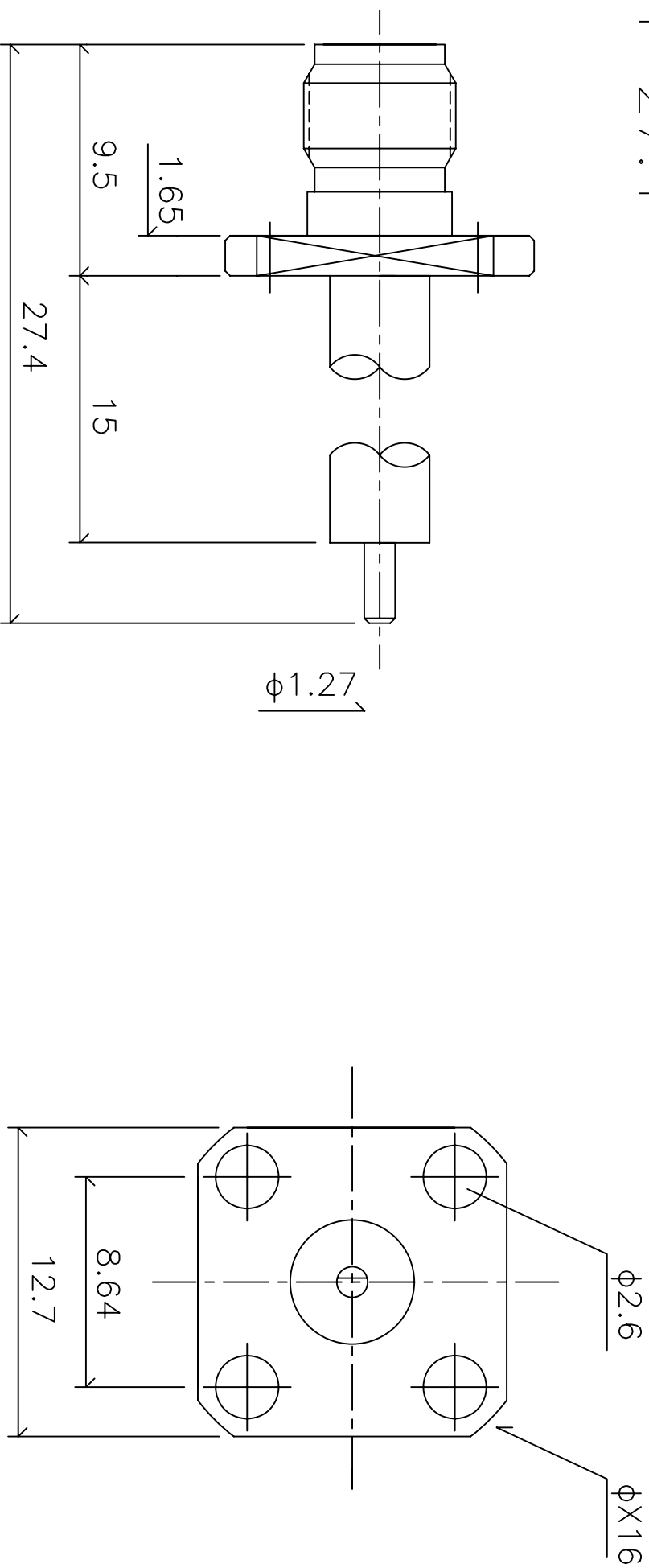


SMA601-27.4 T124413270TU

品名: SMA フランジマウント 4穴 全長: 27.4mm, 誘電体: 15.0mm, 端子: $\phi 1.27$ mm

SMA601-27.4



Electrical

Impedance: 50 Ω
 Frequency: DC-12.4GHz
 V.S.W.R: 1.19Max at 2.0GHz
 Insulation Resistance: 5000M Ω Minimum
 Contact Resistance:
 Center Coantact:: 4m Ω
 Outer Contact: 3m Ω
 Insulator Withstanding Voltage: 750VRMS

Mechanical

- ① Body: Brass Gold Finish 5 μ Inch
 - ② Center contact: Be Cupper, Gold Finish 30 μ Inch
 - ③ Insulater: Teflon
 - ④ Fellule: Brass Gold finish 5 μ Inch
- Brass Material: Cd < 75ppm, Pb < 40,000ppm
 RoHs Regulation: Comply
 Dulability: 500cycles

△	-	-	
△	-	-	
△	-	-	
△	-	-	

未記入公差		尺度	単位	TAKITEK	
長度公差: ±	0.08		mm	タキテック株式会社	
直径公差: ±	0.03				
				製品名	SMA 4Hole Frange Mount
				部品名	Jack
				部品名	T124 413 270