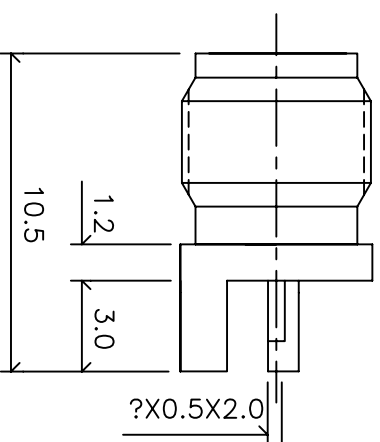


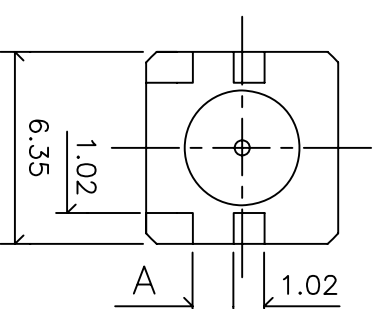
SMA761-10.5/1.6 T124423330TU

品名: SMA PCB エンドランチ ジヤック L=10.5mm 基盤厚1.6mm

SMA761-10.5



A=1.6



Electrical

Impedance: 50 Ω
 Frequency: DC-12.4GHz
 V.S.W.R: 1.19Max at 2.0GHz
 Insulation Resistance: 5000MΩ Minimum
 Contact Resistance:
 Center Coantact:: 4m Ω
 Outer Contact: 3m Ω
 Insulator Withstanding Voltage: 750VRMS

Mechanical

- ① Body: Brass Gold Finish 5 μ Inch
 - ② Center contact: Be Cupper, Gold Finish 30 μ Inch
 - ③ Insulater: Teflon
 - ④ Fellule: Brass Gold finish 5 μ Inch
- Brass Material: Cd < 75ppm, Pb < 40,000ppm
 RoHs Regulation: Comply
 Dulability: 500cycles

△	-	-	
△	-	-	
△	-	-	
△	-	-	
△	-	-	

未記入公差		単位	TAKITEK
長さ公差: ± 0.08	尺度	mm	タキテック株式会社
直径公差: ± 0.03			
			製品名
			SMA PCB End Lunch Jnack
			10.5/1.6
			部品名
			T124 423 330