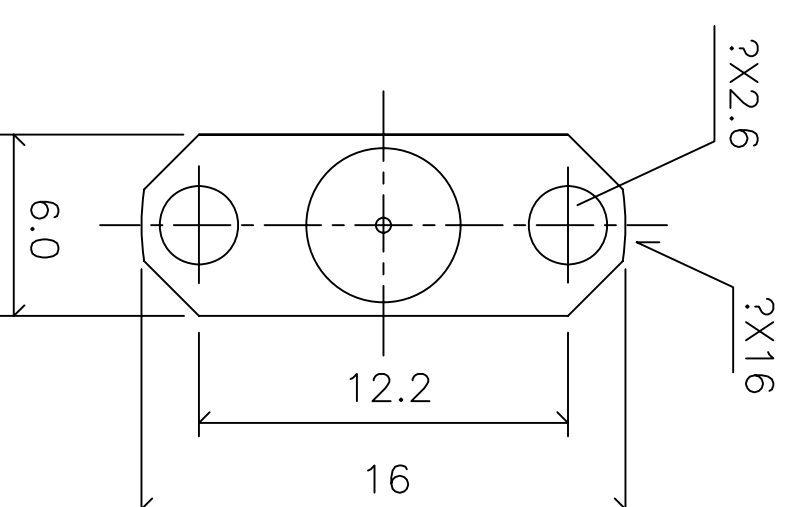
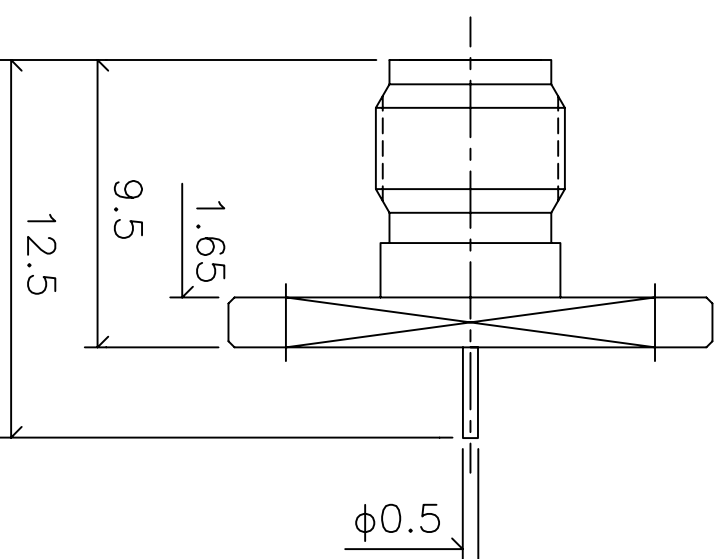


SMA618-12.5 T124494000TU

品名: SMA フランジマウント 2穴 全長12.5mm, 端子: $\phi 0.5\text{mm}$

SMA618-12.5



Electrical

Impedance: $50\ \Omega$
 Frequency: DC-12.4GHz
 V.S.W.R: 1.19Max at 2.0GHz
 Insulation Resistance: $5000M\ \Omega$ Minimum
 Contact Resistance:
 Center Contact: $4m\ \Omega$
 Outer Contact: $3m\ \Omega$
 Insulator Withstanding Voltage: 750VRMS

Mechanical

- ① Body: Brass Gold Finish $5\ \mu$ Inch
 - ② Center contact: Be Cupper, Gold Finish $30\ \mu$ Inch
 - ③ Insulater: Teflon
 - ④ Fellule: Brass Gold finish $5\ \mu$ Inch
- Brass Material: $Cd < 75\text{ppm}$, $Pb < 40,000\text{ppm}$
 RoHs Regulation: Comply
 Dulability: 500cycles

△	-	-	
△	-	-	
△	-	-	
△	-	-	
△	-	-	

未記入公差	単位	TAJITTEK	タキテック株式会社
長さ公差: ± 0.08	mm		
直径公差: ± 0.03			
		製品名	SMA 2Hole Frange Mount
		部品名	Jack
		部品名	T124 494 000