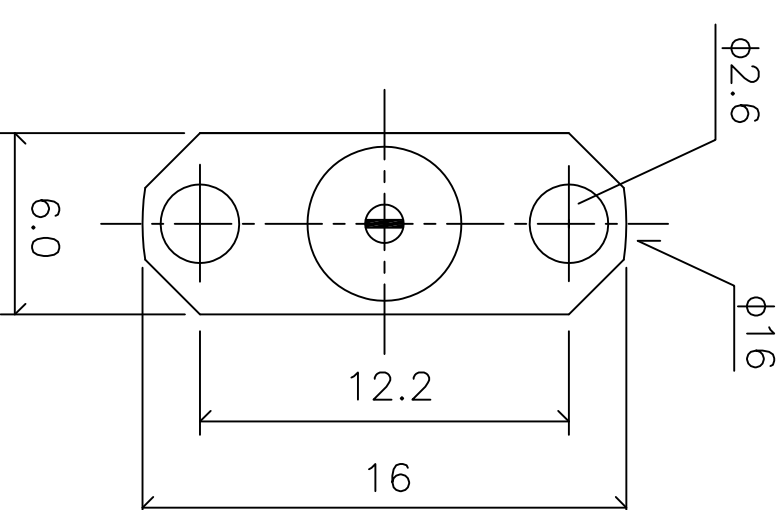
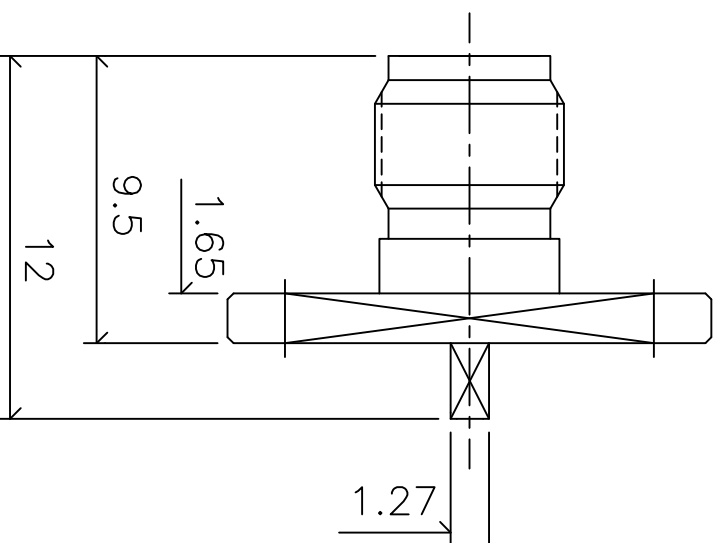


SMA617-12 T124497000TU

品名: SMA フランジマウント 2穴 全長12mm, 端子: 1.27幅タブ端子

SMA617-12



**Electrical**

Impedance: 50 Ω  
 Frequency: DC-12.4GHz  
 V.S.W.R: 1.19Max at 2.0GHz  
 Insulation Resistance: 5000MΩ Minimum  
 Contact Resistance:  
 Center Cocontact: 4mΩ  
 Outer Contact: 3mΩ  
 Insulator Withstanding Voltage: 750VRMS

**Mechanical**

- ① Body: Brass Gold Finish 5 μ Inch
  - ② Center contact: Be Cupper, Gold Finish 30 μ Inch
  - ③ Insulater: Teflon
  - ④ Fellule: Brass Gold finish 5 μ Inch
- Brass Material: Cd < 75ppm, Pb < 40,000ppm  
 RoHs Regulation: Comply  
 Dulability: 500cycles

|   |   |   |  |
|---|---|---|--|
| △ | - | - |  |
| △ | - | - |  |
| △ | - | - |  |
| △ | - | - |  |

| 未記入公差        | 尺度 | 単位 | TAKITEK                |
|--------------|----|----|------------------------|
| 長さ公差: ± 0.08 |    | mm | タキテック株式会社              |
| 直径公差: ± 0.03 |    | mm |                        |
|              |    |    | 製品名                    |
|              |    |    | SMA 2Hole Frange Mount |
|              |    |    | 部品名                    |
|              |    |    | T124 497 000           |