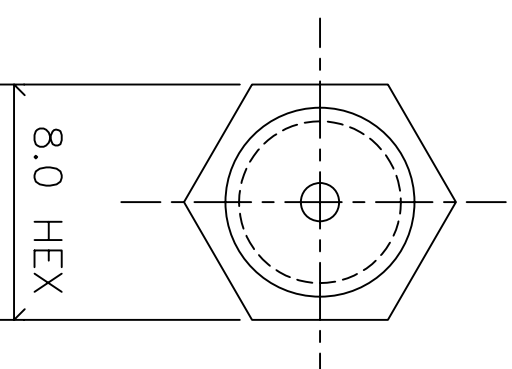
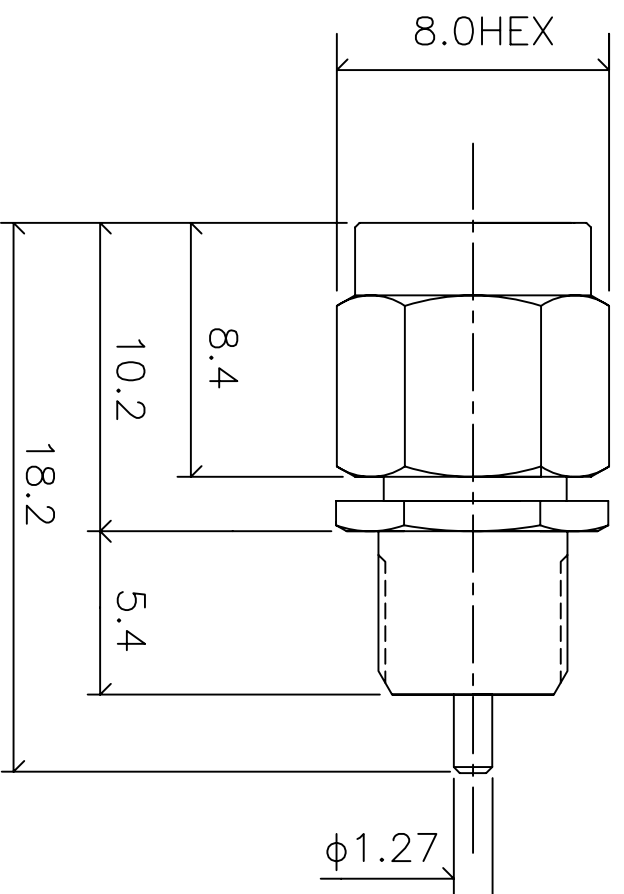


SMA301 T124556000TU

品名: SMA パネルインサート プラグ L=18.2mm

SMA301



Electrical

Impedance: 50 Ω
 Frequency: DC-12.4GHz
 V.S.W.R: 1.19Max at 2.0GHz
 Insulation Resistance: 5000M Ω Minimum
 Contact Resistance:
 Center Contact: 4m Ω
 Outer Contact: 3m Ω
 Insulator Withstanding Voltage: 750VRMS

Mechanical

- ① Body: Brass Gold Finish 5 μ Inch
 - ② Center contact: Brass, Gold Finish 30 μ Inch
 - ③ Insulator: Teflon
 - ④ Fellule: Brass Gold finish 5 μ Inch
- Brass Material: Cd < 75ppm, Pb < 40,000ppm
 RoHs Regulation: Comply
 Durability: 500cycles

△	-	-	
△	-	-	
△	-	-	
△	-	-	
△	-	-	

未記入公差		単位	TAKITEK
長さ公差: ± 0.08	尺度	mm	タキテック株式会社
直径公差: ± 0.03	製図		SMA Panel Insert Plug
	設計		部品名 T124 556 000
	照査		