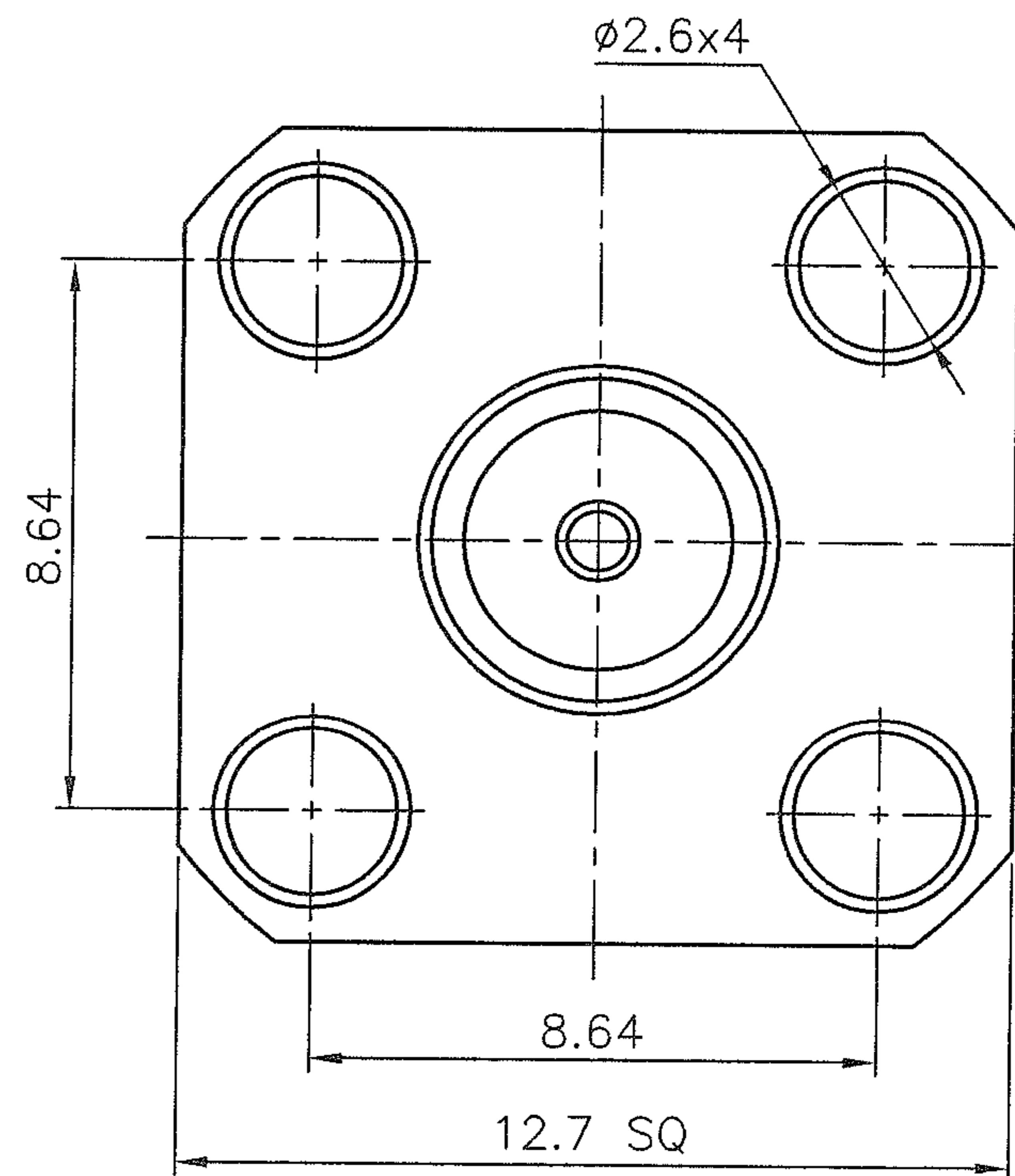
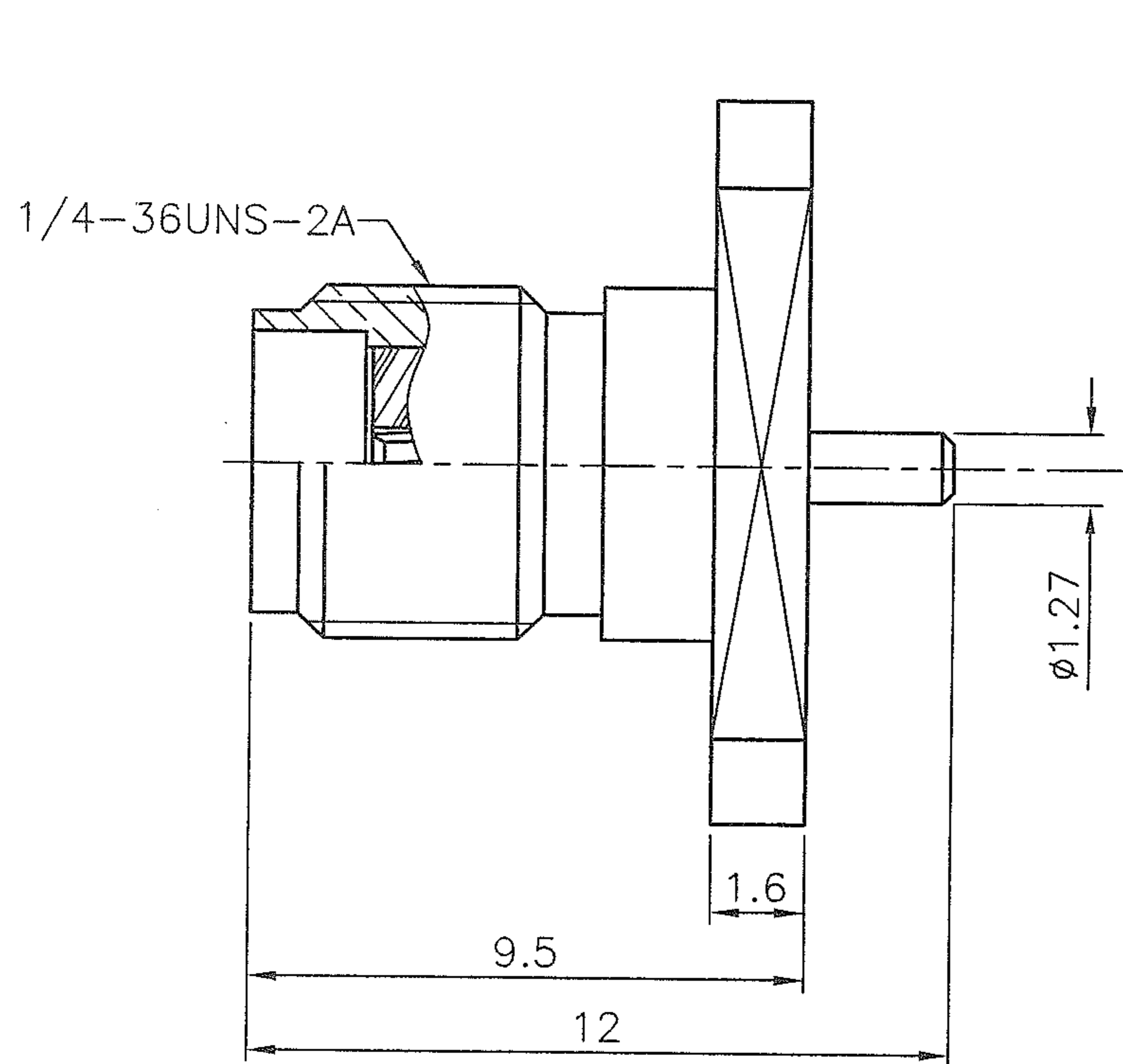


REVISIONS		
ISS	SYMBOL	DESCRIPTION \ DATE
A2		TEFLON 變更為 PTFE \ 06/20/16'


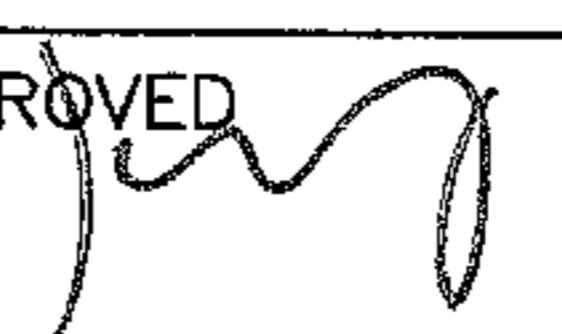
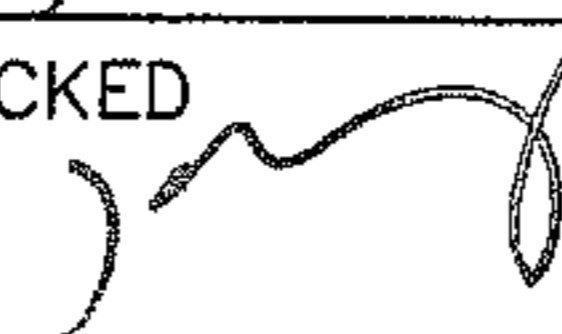

FOR CUSTOMER(WEB)



NOTES: FINISH (PLATING THICKNESS IN MICRO-INCHES)

1. BRASS PER QQ-B-626
2. GOLD PL 3 MIN OVER NICKEL PL 70 MIN THICK OVER COPPER STRIKE
3. GOLD PL 30 MIN OVER NICKEL PL 70 MIN THICK OVER COPPER STRIKE
4. BERYLLIUM COPPER PER QQ-C-530

HSF COMPLIANT

					DIMENSIONS ARE IN MILLIMETERS				PART NO.			
					UNLESS OTHERWISE SPECIFIED TOLERANCES (一般公差)				APPROVED	DATE		
	LOCK RING	NOTE 1	NOTE 2		0.5~6 = ±0.2					06/20/16'	SMA PANEL RECEIPT JACK	
	INSULATOR	PTFE	WHITE		>6~30 = ±0.4					06/20/16'		
	INSULATOR	PTFE	WHITE		>30~120 = ±0.6							
	CONTACT PIN	NOTE 4	NOTE 3		>120~315 = ±1							
	BODY	NOTE 1	NOTE 2		>315~1000 = ±1.6							
					ANGLES(角度) = ±5'							
NO.	DESCRIPTION	MATERIAL	FINISH	Q'TY	DRAWING NO.	SCALE	5/1	ISSUE	A2	DRAWN	DATE	DRAWING NO.
											06/20/16'	T124614000FL