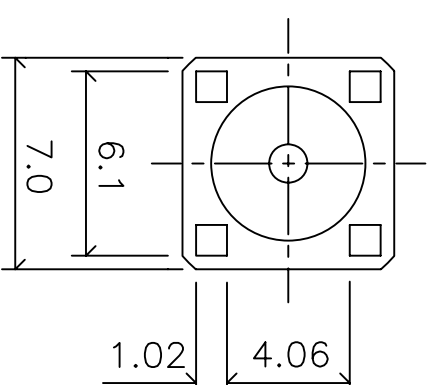
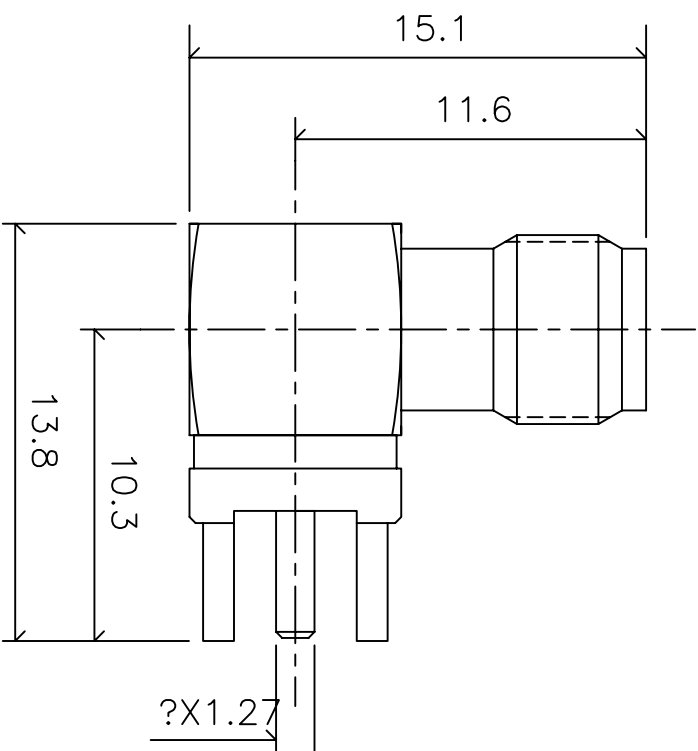


SMA751 T124680000TU

品名: SMA PCB ライトアングル ジヤック



Electrical

Impedance: 50 Ω
 Frequency: DC-12.4GHz
 V.S.W.R: 1.19Max at 2.0GHz
 Insulation Resistance: 5000MΩ Minimum
 Contact Resistance:
 Center Coantact:: 4m Ω
 Outer Contact: 3m Ω
 Insulator Withstanding Voltage: 750VRMS

Mechanical

- ① Body: Brass Gold Finish 5 μ Inch
 - ② Center contact: BeCu, Gold Finish 30 μ Inch
 - ③ Insulater: Teflon
 - ④ Fellule: Brass Gold finish 5 μ Inch
- Brass Material: Cd < 75ppm, Pb < 40,000ppm
 RoHs Regulation: Comply
 Dulability: 500cycles

△	- -		
△	- -		
△	- -		
△	- -		
△	- -		

未記入公差		尺度	単位	TAKITEK
長度公差: ±	0.08		mm	タキテック株式会社
直径公差: ±	0.03			
				製品名
				SMA PCB Right Angle
				Jack
				部品名
				T124680000