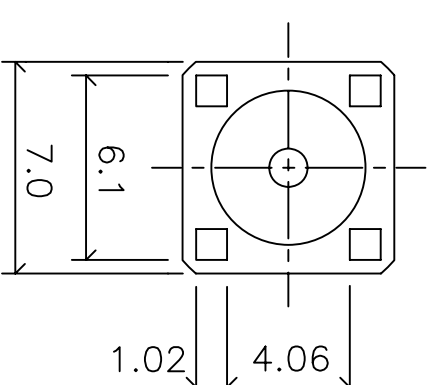
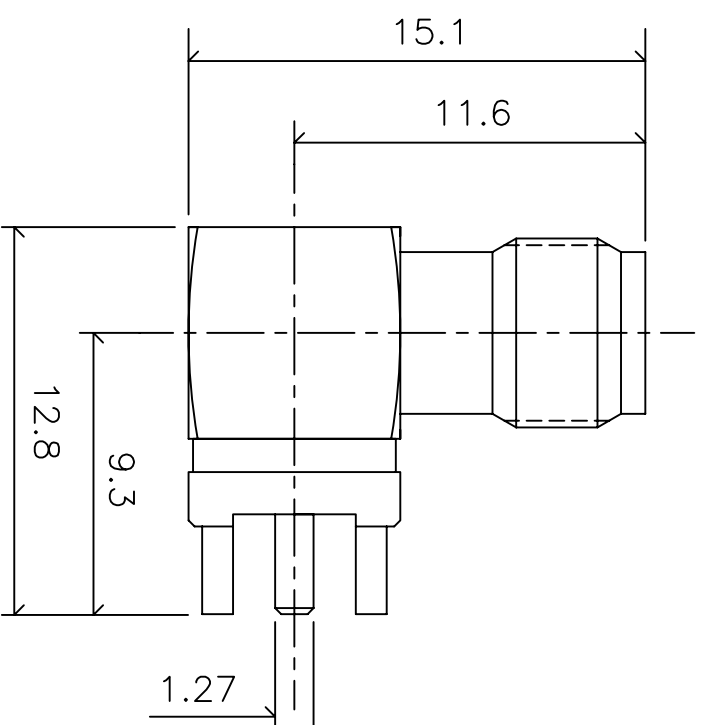


SMA751/2.9 T124681000TU

品名: SMA PCB ライトアングル ジヤック

SMA751/2.9



### Electrical

Impedance: 50  $\Omega$   
Frequency: DC-12.4GHz  
V.S.W.R: 1.19Max at 2.0GHz  
Insulation Resistance: 5000M $\Omega$  Minimum  
Contact Resistance:  
Center Coantact:: 4m $\Omega$   
Outer Contact: 3m $\Omega$   
Insulator Withstanding Voltage: 750VRMS

### Mechanical

- ① Body: Brass Gold Finish 5  $\mu$  Inch
  - ② Center contact: BeCu, Gold Finish 30  $\mu$  Inch
  - ③ Insulater: Teflon
  - ④ Fellule: Brass Gold finish 5  $\mu$  Inch
- Brass Material: Cd < 75ppm, Pb < 40,000ppm  
RoHs Regulation: Comply  
Dulability: 500cycles

△	- -		
△	- -		
△	- -		
△	- -		
△	- -		

未記入公差		尺度	単位	TAKITEK	
長度公差: ± 0.08			mm	タキテック株式会社	
直径公差: ± 0.03				製品名	
				SMA PCB Right Angle	
				Jnack	
				部品名	
				T124681000	