



- Low Noise Amplifier (LNA) 700 - 2700 MHz
- High Gain 25dB (+/- 3 dB)
- Low Noise Figure: 1.5 dB typ.
- N-Connectors
- Applications: Receiver and measurement amplifier, interference signal hunting

Specifications

Parameter	Unit
Frequency Range	700-2700 MHz
RF Gain	25 dB +/- 3
Maximum Input Power	+0 dBm
Input (fwd.) VSWR	2.2:1 max.
Noise Figure	1.5 dB typ. / 2.5 dB max.
Output Power (P-1 dB)	+14 dBm, min (2.7 GHz)
Output Intercept (IP3)	+28 dBm, typ. (2.7 GHz)
Operating Temperature	- 10 to +50°C
RF Connectors	IN - N(f) OUT - N(m)
Power	+ 5 VDC , 100 mA D.C. Power Jack Male OD 5.5 - ID 2.1
Impedance	50 Ohm

Order Information

Type	Description
LNA1-0727-25	LNA 0.7 - 2.7 GHz, Gain 25dB, VSWR 2.2: 1, NF 2.5 dB, Supply Power 5VDC, 100 mA, Connectors INP N(f), OUTP N(m), PWR (m) OD 5.5 mm - ID 2.1 mm
LNA-PRW5	Power Supply 5V with 5.5mm OD 2.1mm ID connector, AC 100-240V, 47-63Hz, Adapters for US, EU, UK, AU
LNA-PWRU	Adapter cable: USB-A to 5.5 mm OD - 2.1mm ID, Length 30cm (12 Inches), for powering LNA1 via USB port

RF & Microwave Technology

AWT-Global provides advanced telecommunication technology products and analyzers for a variety of RF and Microwave applications

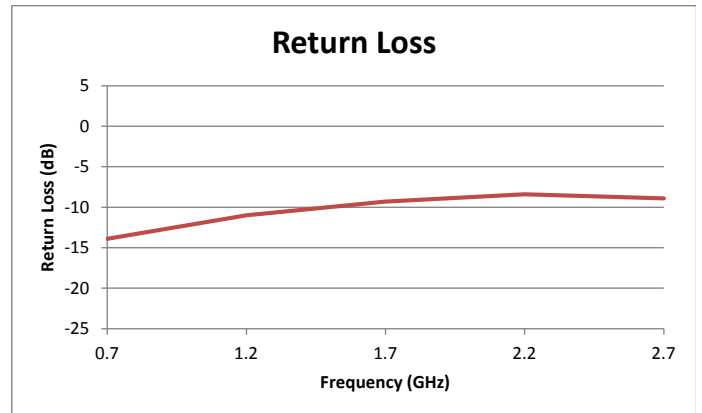
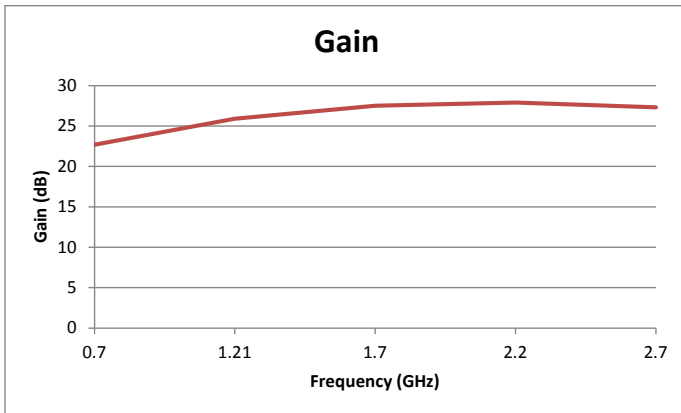
High Performance LNAs

AWTG High Gain LNAs are well suited for many applications including receiver signal booster, measurement amplifier, interference signal hunting, and many more.

AWT Global

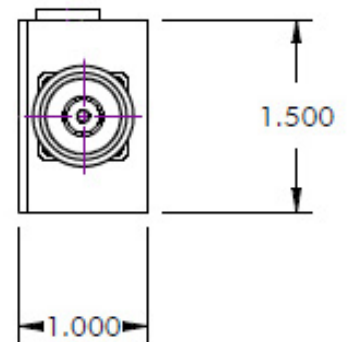
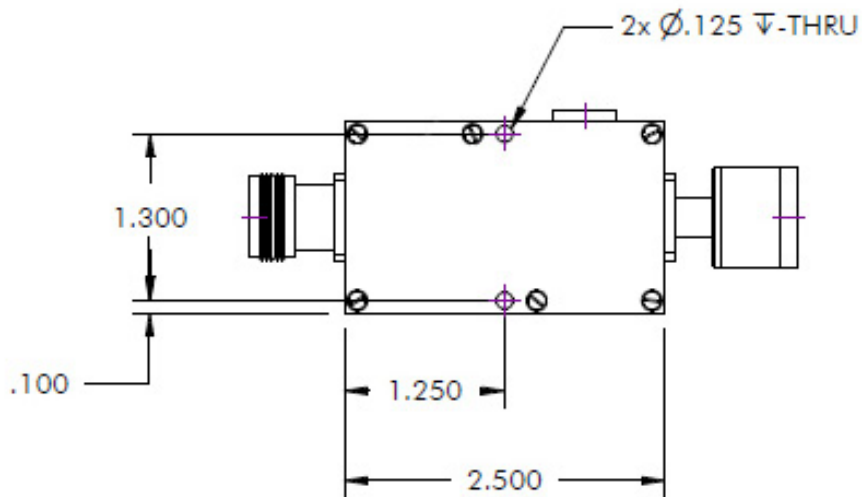
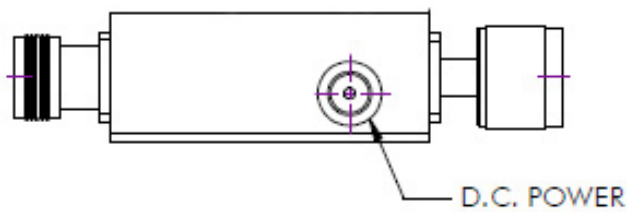
117 Grand Avenue
Hackettstown
New Jersey 07840, USA
p: +1 (973) 321-3423
e: sales@awt-global.com
w: www.awt-global.com

Simulation Data



Actual data may vary

Dimensions



Dimensions in inches (mm)