

Precision Test Adapters

2.4 mm(F) to SMPM(F)



Microwave Farm's Precision Test Adapters are designed based on precision microwave interconnection technologies.

This 2.4mm(F) to SMPM(F) adapter is manufactured to precise microwave specifications and constructed with female gender on side 1 and female gender side 2.

The precision microwave connector interfaces ensure an excellent microwave performance up to 50 GHz



■ Features

- Frequency range : DC to 50 GHz
- VSWR : 1.4 : 1(Max) @ 50 GHz
- Stainless steel (passivated)

■ Specification

Scope	Specification	MFAD02F17FS1
Electrical	Impedance(Ohm)	50
	Operation Freq.(GHz)	DC to 50 GHz
	VSWR (Max)	1.4: 1 @ 50 GHz
Material	Dielectric	Special dielectric
	Center Contact	Beryllium copper with gold plated
	Body	Passivated Stainless Steel

* RoHS Compliant

Precision Test Adapters

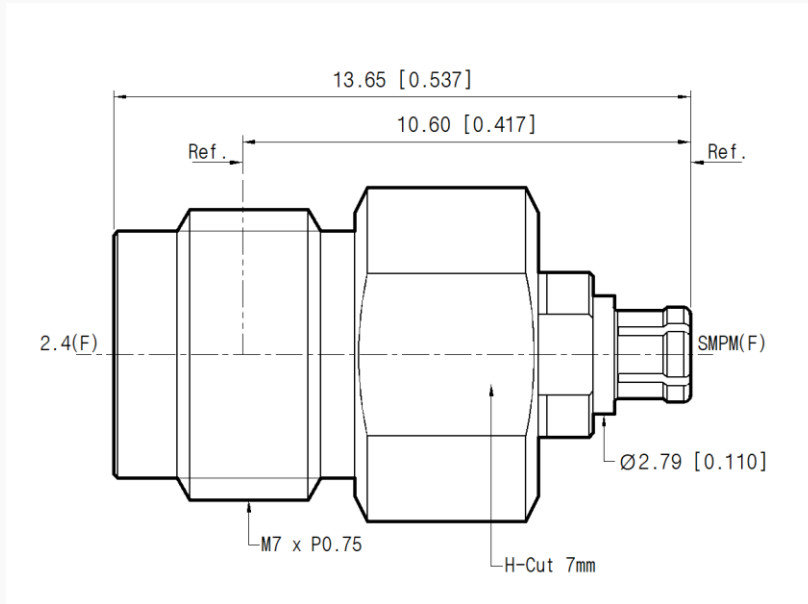
2.4 mm(F) to SMPM(F)



■ Drawing

Part No.: MFAD02F17FS1

Unit : mm



■ Test Result

▪ Frequency : 10 MHz to 50 GHz

