

# Precision Test Adapters

## 1.0 mm(M) to 2.4 mm(F)



**Microwave Farm's Precision Test Adapters** are designed based on precision microwave interconnection technologies. **This 1.0 mm(M) to 2.4 mm(F)** adapter is manufactured to precise microwave specifications and constructed with male gender on side 1 and female gender on side 2. The precision microwave connector interfaces ensure an excellent microwave performance up to 50 GHz



### ■ Features

- Frequency range : DC to 50 GHz
- VSWR : 1.3 : 1(Max) @ 50 GHz
- Stainless steel (passivated)

### ■ Specification

Scope	Specification	MFAD00M02FS1
Electrical	Impedance(Ohm)	50
	Operation Freq.(GHz)	DC to 50 GHz
	VSWR (Max)	1.3 : 1 @ 50 GHz
Material	Dielectric	Special dielectric
	Center Contact	Beryllium copper with gold plated
	Body	Passivated Stainless Steel

\* RoHS Compliant

# Precision Test Adapters

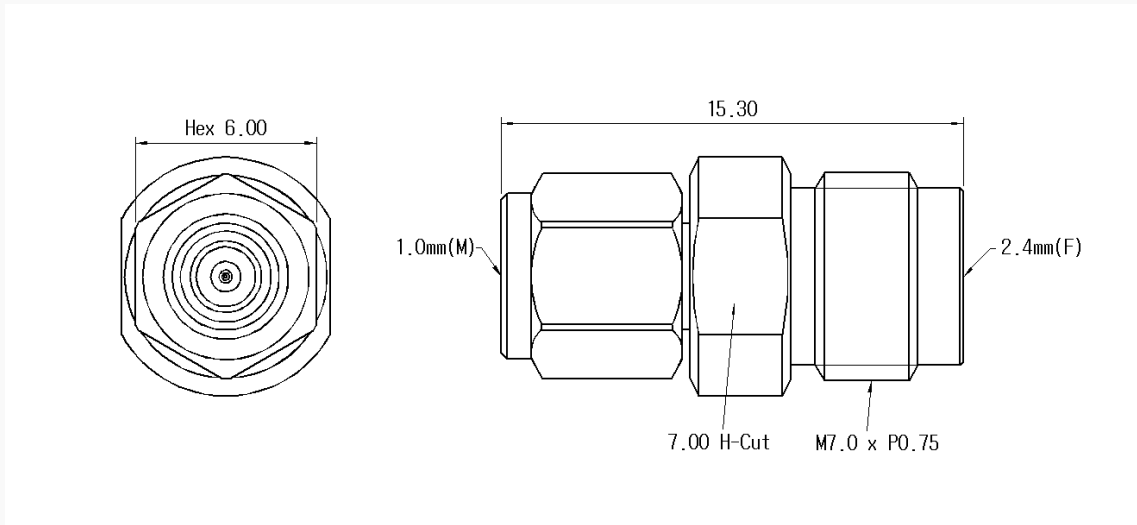
1.0 mm(M) to 2.4 mm(F)



## ■ Drawing

Part No.: MFAD00M02FS1

Unit : mm



## ■ Test Result

▪ Frequency : 10 MHz to 50 GHz

