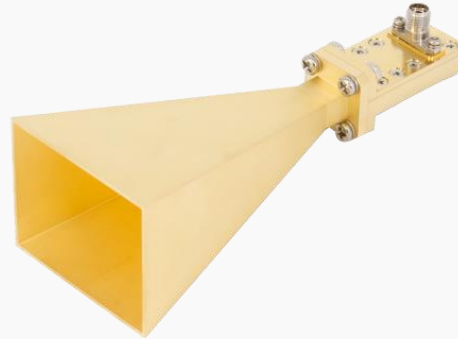


Ka-band Pyramidal Horn Antenna



Microwave Farm's Ka-band Pyramidal Horn Antenna operates in the frequency range from 26.5 GHz to 40 GHz. It has gain of 20 dBi at 33 GHz.



■ Features

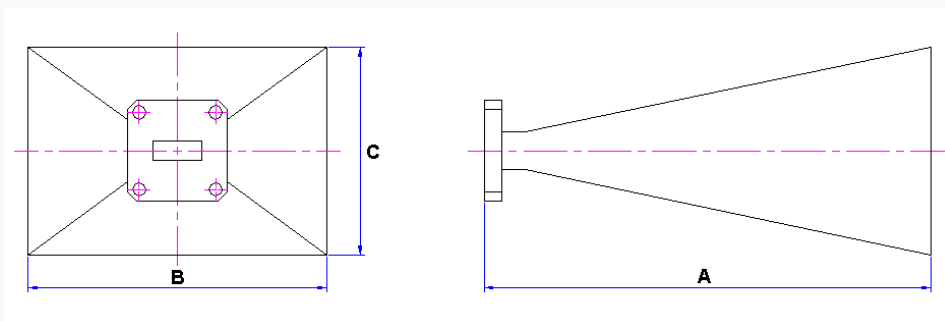
- Freq. range : 26.5 to 40 GHz
- Gain : 20 dBi (Typical) @ 33 GHz
- Port : WR-28

■ Specification

Scope	Specification	MFWAKH-02
Electrical	Type	WR-28 Pyramidal Horn
	Freq.	26.5 to 40 GHz
	Gain (Typical)	20 dBi @ 33 GHz
Mechanical	Port	WR-28

■ Drawing

Unit : mm



Gain [dBi]	Beam width [Degree]		A [mm]	B [mm]	C [mm]
	H	V			
20	15	15	90	45	35