

Microwave Farm's Precision Test Adapters are designed based on precision microwave interconnection technologies. **This SMP(Female) to SMA(Female)** adapter is manufactured to precise microwave specifications and constructed with female gender on side 1 and female gender side 2.

The precision microwave connector interfaces ensure an excellent microwave performance up to 26.5 GHz.



■ Features

- Frequency range : DC to 26.5 GHz
- VSWR(Max) : 1.30 : 1 (Max) @ 26.5 GHz
- Beryllium copper(gold plated) & Stainless steel(passivated)

■ Specification

Scope	Specification	MFAD05F06FS1
Electrical	Impedance(Ohm)	50
	Operation Freq.(GHz)	DC to 26.5 GHz
	VSWR (Max)	1.20 : 1 @ 18 GHz 1.30 : 1 @ 26.5 GHz
Material	Dielectric	Special dielectric
	Center Contact	Beryllium copper with gold plated
	Body	Beryllium copper with gold plated & Passivated stainless steel

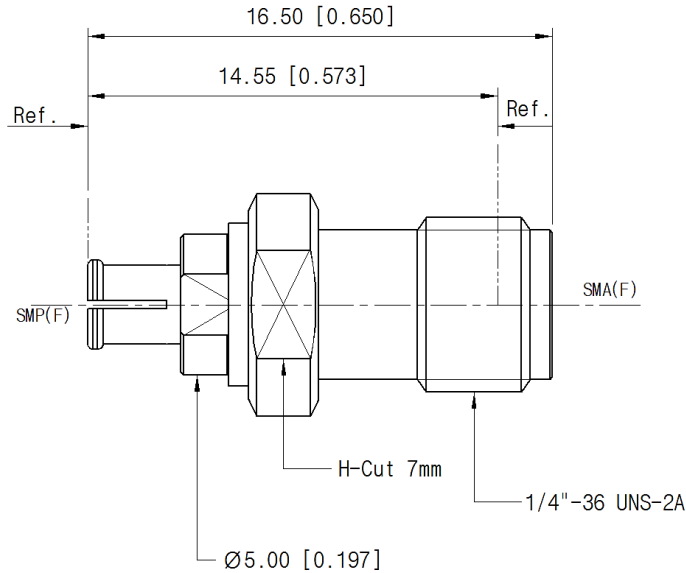
* RoHS Compliant

SMP(Female) to SMA(Female)

Drawing

Part No.: MFAD05F06FS1

Unit : mm



Test Result

Frequency : 10 MHz to 26.5 GHz

